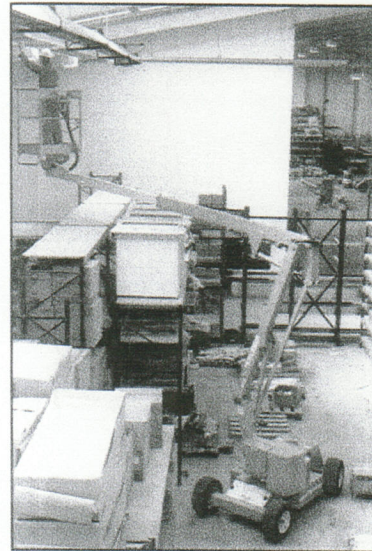
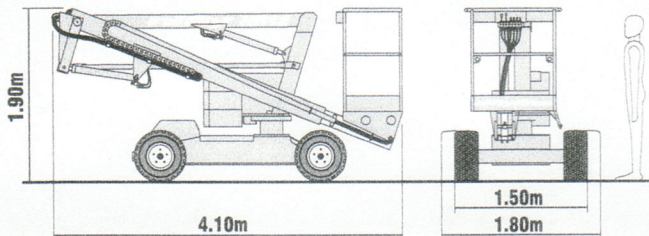
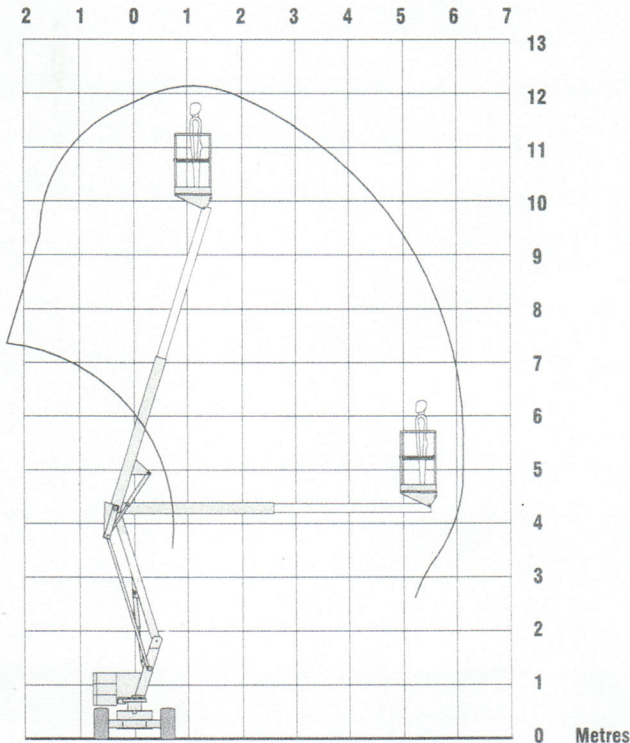
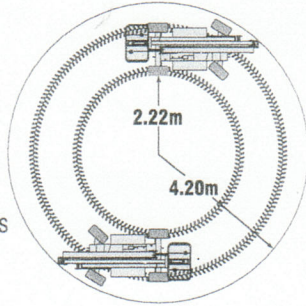


nifty Height rider 12

The Nifty Height Rider 12 is one of the most versatile and reliable machines in its class. It is specifically designed to give maximum reach performance from the lightest, most compact base possible. A telescopic upper boom gives improved accuracy when positioning the platform and superb manoeuvrability makes it an ideal tool for a wide range of applications.

SAFETY FEATURES

- Automatic Failsafe Brakes
- Tilt Alarm
- Foarn Filled or Solid Tyres
- Manual Descent with Hand Pump
- Dual Controls (Platform & Base)
- Lock Valves on all Hydraulic Cylinders
- Dual Harness Points
- CE Mark



The HR12's Bi-Energy option allows it to work for extended periods inside and outside, making it the perfect all-rounder.

SPECIFICATIONS

Height - Working	12.20m	40ft
Height - Platform	10.20m	33ft 5in
Outreach - Working	6.10m	20ft 1in
Slew	360°	
Width - Standard	1.80m	5ft 10in
- Narrow	1.50m	4ft 11in
Height - Stowed	1.90m	6ft 3in
Length - Overall	4.10m	13ft 5in
Weight - Standard	2,400kg*	5,285lbs*
- Narrow	2,950kg*	6,490lbs*
Turning Radius - Inside	2.22m	7ft 3in
- Outside	4.20m	13ft 9in
Platform Capacity	200kg	440lbs
Platform Size	1.10m x 0.65m	3ft 8in x 2ft 1in
Drive Speed	2.5 - 3.5mph	4 - 5.6kmph
Gradeability	25%	
Control System	Fully proportional hydraulic	
Power Options	Battery Only Petrol or Diesel Only Bi-Energy (engine & battery)	

* Weights may vary according to specification, please confirm before ordering.

Due to a policy of continuing development and improvement, Niftylift reserves the right to change any specification without notice. Please confirm exact specification before ordering.